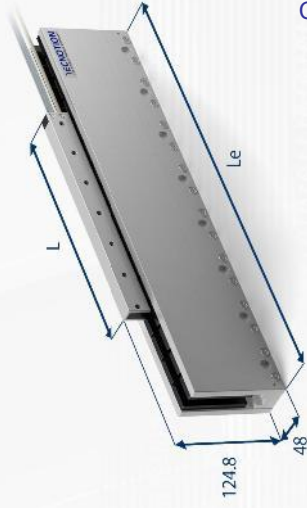


Parameter	Remarks	Symbol	Unit	UXX3	UXX6	UXX9	UXX12	UXX18
Winding type				N S N S N S	N S N S N S	N S N S N S	N S N S N S	N S N S N S
Motor type, max voltage ph-ph				3-phase synchronous Ironless, 300V _{dc}				
Peak Force @ 20°C/s	magnet @ 25°C	F _p	N	700	1400	2100	2800	4200
Continuous Force*	coils @ 110°C	F _c	N	141	282	423	564	846
Maximum Speed**	@ 300 V	V _{max}	m/s	2.7	2.7	2.7	2.7	2.7
Motor Force Constant	coils @ 25°C	K	N/A _{rms}	124	124	124	124	124
Motor Constant	coils @ 25°C	S	N ² /W	323	647	970	1293	1940
Peak Current	magnet @ 25°C	I _p	A _{rms}	5.6	11.3	16.9	22.6	34
Maximum Continuous Current	coils @ 110°C	I _c	A _{rms}	1.14	2.27	3.4	4.5	6.8
Back EMF Phase-Phase		B _{emf}	V _{rms} / m/s	101	41	101	41	101
Resistance per Phase	coils @ 25°C ex. cable	R _f	Ω	15.8	7.9	5.3	4.0	2.6
Induction per Phase	I < 0.6 I _p	L _r	mH	28	14	9	7	4.7
Electrical Time Constant	coils @ 25°C	τ _e	ms	1.8	1.8	1.8	1.8	1.8
Maximum Continuous Power Loss	all coils	P _c	W	82	165	247	330	494
Thermal Resistance		R _{th}	°C/W	1.04	0.52	0.35	0.26	0.17
Thermal Time Constant	minimum	τ _{th}	s	156	156	156	156	156
Temperature Sensors				PTC 1kΩ and NTC				
Coil Unit Weight	ex. cables	M	kg	0.55	0.95	1.35	1.75	2.55
Coil Unit Length	ex. cables	L	mm	134	248	362	476	704
Motor Attraction Force		F _a	N	0	0	0	0	0
Magnet Pitch NN		τ	mm	57	57	57	57	57
Cable Weight		m	gr/m	180	180	180	180	180
Cable Type (Power)	length 1 m	d	mm (AWG)	6.4 (18) except UXX35***				
Cable Type (Sensor)	length 1 m	d	mm (AWG)	4.3 (26)				

All specifications ±10%



UXX6 in 456mm magnet yoke shown

UXX35 Power Cable (FLEX)	
Cable Type	9.0 (21) mm (AWG)
Cable Life	5,000,000 cycles
Bending Radius Static	4x cable diameter
Bending Radius Dynamic	10x cable diameter

Magnet yoke dimensions			
Le (mm)	114	171	456
M6 bolts	2	3	8
Mass (kg/m)	24		
Magnet yokes can be butted together.			

*Max. continuous force depends on the thermal resistance, cooling surface and ambient temperature of your application. Download our simulation tool to check the motor's thermal behavior in the application.
** Actual values depend on bus voltage. Please check the FV diagram in our simulation tool.
*** The UXX35 is only available with a FLEX power cable. The specifications for this cable can be found in the box on the right side of this page.

