

Servomotors Kit

FOR MECHANICAL SYSTEMS WITH OPTIMAL INTEGRATION...

Servomotor Kit is an innovative and global approach enabling the complete integration of motor in a simplified mechanical system.

The size constraints are considered with a maximum effectiveness. This approach provides accuracy, reliability and robustness benefits matchless with traditional construction.

CHARACTERISTICS AND DIMENSIONS

A complete base is available to meet the design of many mechanical systems in different application domains. Other adjustments can be developed on request (iron length, frame, winding...).

SIZE 1 AND 2

	□ A	∅ B	L	Torque at low speed	Max. Speed	Continuous Max. Power
	mm	mm	mm	Nm	tr/min	W
NK1	42	9	65	0,4	8000	250
NK2	56	12	68	0,9	6000	400

SIZE 3, 4, 6 AND 8

	∅ A	∅ B	L	Torque at low speed	Max. Speed	Continuous Max. Power
	mm	mm	mm	Nm	tr/min	W
NK310	62	14	75	2	6000	900
NK420	80	20	92	4	6000	1750
NK430	80	20	117	5,5	6000	2250
NK620	111	26	104	8	5000	2750
NK630	111	26	133	12	4500	3700
NK820	143	40	110	15	5600	5800
NK840	143	40	170	28	3500	6800
NK860	143	40	230	42	2600	7700

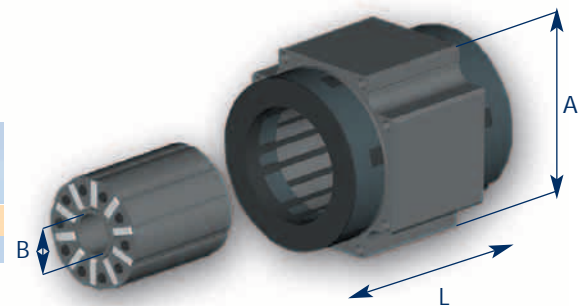
SIZE 3, 4, 6 AND 8 (WATER COOLING)

	∅ A	∅ B	L	Torque at low speed	Max. Speed	Continuous Max. Power
	mm	mm	mm	Nm	tr/min	kW
NW310	82	14	85	3,4	15000	4,7
NW420	100	20	102	7	12000	8
NW430	100	20	127	10	10000	10
NW620	131	26	114	14	10000	14
NW630	131	26	143	21	8000	17
NW820	163	40	120	26	8000	20
NW840	163	40	180	48	6000	30
NW860	163	40	240	72	4000	30

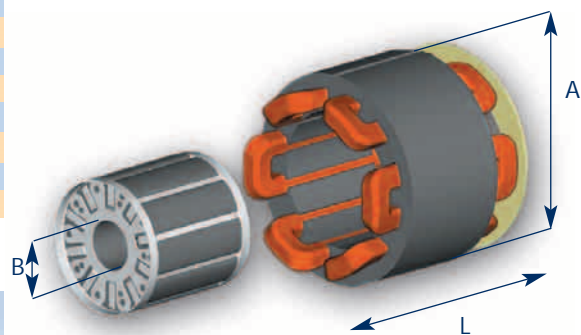


ADVANTAGES

- » Mechanical system compactness and weight
- » Cost reduction
- » Direct drive: accurate and robust mechanics
- » Wide range
- » Complete and optimised solution including sensor and drive
- » Integration assistance



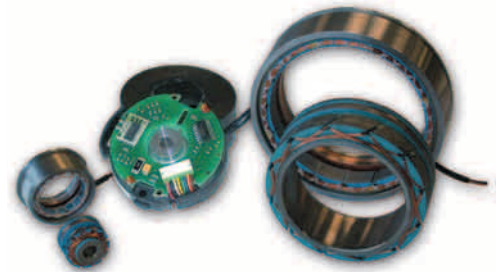
NK1 - NK2



NK3 - NK4 - NK6 - NK8

SENSORS

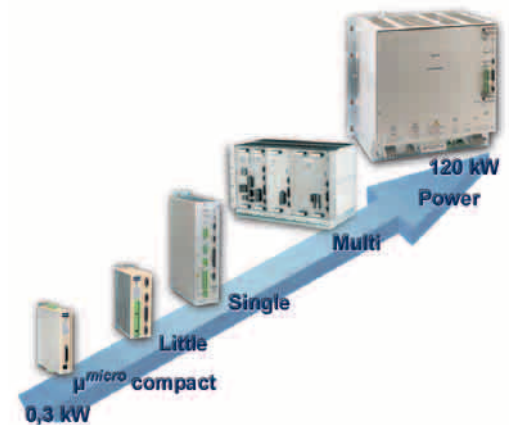
Several types of sensors are combined with Servomotor Kit according to the application requirements such as robustness, resolution, and accuracy: Hall effect sensor, resolver, high-resolution sensor, optical encoder...



Positioning Sensors: resolver, encoder...

SERVODRIVES

The combination Servomotor Kit and DIGIVEX Drive or DIGIVEX Motion servodrive offers a complete operating of motor capabilities and high performance Servosystem Kit designing regarding dynamic and motion accuracy.



DIGIVEX range

INTEGRATION ASSISTANCE

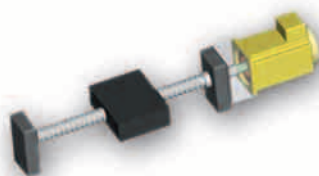
Parvex Team can advise and assist you during all integration phases of Servomotors Kit.



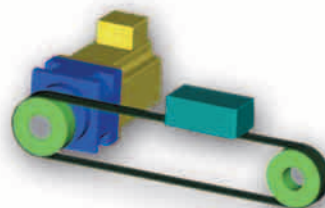
Parvex R&D

APPLICATIONS EXAMPLES

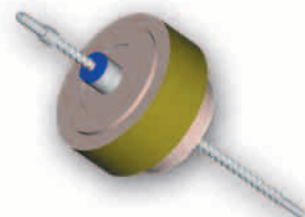
Some examples of designing: blood pump, electrospindle, motorised ball screw, electromechanical actuator, ...



Ball screw direct coupling



Motor with built-in gearbox



Hollow shaft motor